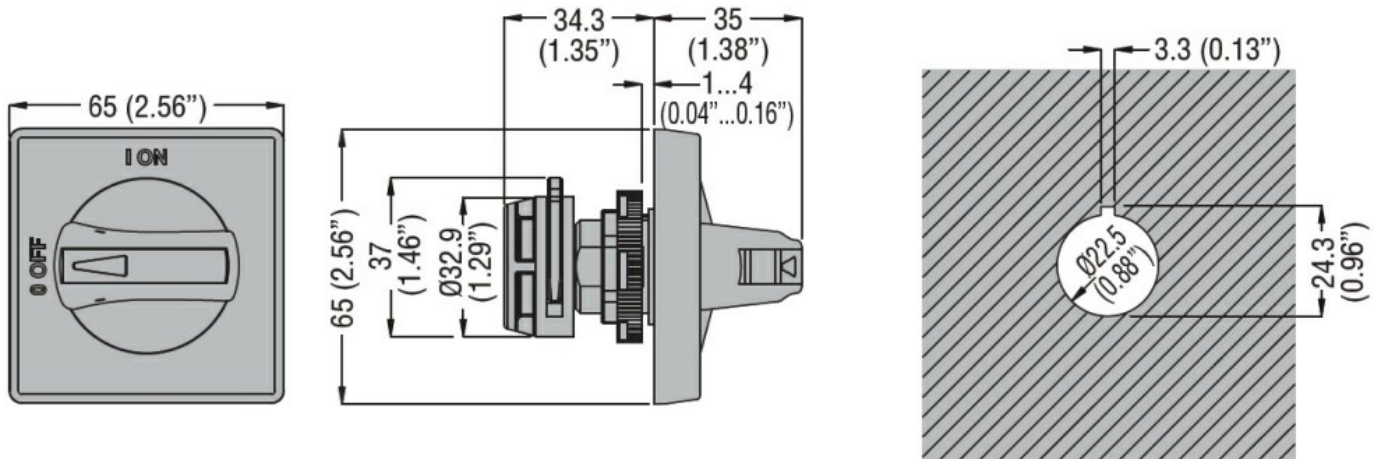




Dimensions



Certifications and compliance

Compliance

CSA C22.2

IEC/EN 60947-1

IEC/EN 60947-3

UL508

UL98

Certifications

CCC

cULus according to UL508 / CSA C22.2 n°14

cULus according to UL98 / CSA C22.2 n°4

EAC

ETIM classification

ETIM 8.0

EC000230 -
Door coupling
handle for
switchgear